

TZM0756 Series Monocular Zoom Objective(MZO)



Contents

1 The Basic Characteristic of TZM0756 Series MZO	2
1.1 The Application of the TZM0756 Series MZO	2
1.2 The Modular Design of TZM0756 Series MZO.....	2
1.3 The Nomenclature of the TZM0756 Series MZO.....	3
1.3.1 Module One: Middle Zoom Module	3
1.3.2 Module Two: Auxiliary Lens	3
1.3.3 Module Three: TV Lens.....	4
1.3.4 Module Four: Bracket Adapter.....	4
1.3.5 Module Five: The Optional Module.....	4
1.3.6 The Naming of TZM0756 Series MZO.....	7
1.3.7 The Configuration of TZM0756 MZO with five modules	8
1.4 The Basic Characteristics of the TZM0756 Series MZO	8
1.5 The Optical Specifications of TZM0756 MZO with Different Auxiliary Lens and TV Lens	9
1.6 The Dimension of TZM0756 Series MZO with Different Light Module	9
1.7 How to Configure TZM0756 Series MZO	10
2 The Connection of the TZM0756 Series MZO and Camera	12
3 Pictures Taken by TZM0756 Series MZO under Different Light Illuminations	14
4 TZM0756 Series MZO Packing List	16
5 Order List of TZM0756 Series MZO.....	18
6 Service.....	19

1 The Basic Characteristic of TZM0756 Series MZO

1.1 The Application of the TZM0756 Series MZO

TZM0756 series MZO(Monocular Zoom Objective) is an ideal choice for most applications that requires multiple magnifications or for those that prohibits continual manual refocusing. The applications of the TZM0756 series MZO are: machine vision; small details inspection; industrial inspection especially electronic components; scientific research; medical industry; education industry.



Figure 1 The TZM0756 series MZO with different configuration

1.2 The Modular Design of TZM0756 Series MZO

The modular design of TZM0756 series MZO is showed in Figure 2. The design is based on the bilateral parallel light path principle and consists of five basic modules. The five basic modules are: Middle Zoom Module, Auxiliary Lens Module, TV Lens Module, Bracket Adapter Module and Optional Module(Not show in the figure).

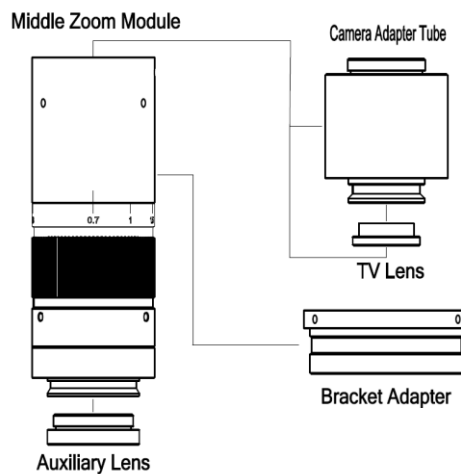


Figure 2 The four basic modules of TZM0756 series MZO. The Optional Module is not shown

1.3 The Nomenclature of the TZM0756 Series MZO

Because of TZM0756 series MZO’s modular design, each module of TZM0756 series MZO is named respectively. The specific naming rules and corresponding parameters of each module are as follows:

1.3.1 Module One: Middle Zoom Module

The **Middle Zoom Module** (code **TZM0756aa**), which is the main body of **TZM0756** series MZO. There are four types of **Middle Zoom Modules** including **TZM0756**, **TZM0756T**, **TZM0756D** and **TZM0756TD**. Details are listed in Table 1.

Table 1 The order number and function of the Middle Zoom Module

Order Number	Meaning	TZM0756	Postfix meaning
TZM0756	Ordinary Middle Zoom Module	ZM: Zoom 0756: 0.7X~5.6X	NA
TZM0756T	Middle Zoom Module with back focus trimmable(adjustable) function		T: Trim
TZM0756D	Middle Zoom Module with detent to fix the magnification function		D: Detent
TZM0756TD	Middle Zoom Module with back focus trimmable and magnification detent functions		TD: Trim & Detent

1.3.2 Module Two: Auxiliary Lens

The replaceable **Auxiliary Lens**(code **Wbbb**), which can be threaded to the bottom of the **Middle Zoom Module**, **bbb** represents the magnification of **Auxiliary Lens**. Different magnification of the **Auxiliary Lens** defines the entire magnification of **TZM0756** series MZO, resulting different working distance as well. For example, compared with the **W100 Auxiliary Lens** with 1.00x magnification reaches 80mm working distance, while **W050 Auxiliary Lens** will have a reduced magnification to half and the working distance will be extended to about 160mm. **Auxiliary Lens** and its corresponding optical parameters are shown in Table 2.

Table 2 The order number and optical parameters of Auxiliary Lens

Order number	Magnification	Working distance (mmm)	Field of View in the object side(TV050, 1/3"sensor)	
			Lower magnification	Higher magnification
W050	0.5X	160	34.28mm	4.28mm
W075	0.75X	105	20.81mm	2.86mm
W100	1.00X	80	17.14mm	2.14mm
W150	1.50X	51.5	11.43mm	1.43mm
W200	2.00X	37.5	8.57mm	1.07mm

Note: The same **Auxiliary Lens** with different **TV lens** is just used to adapt to different size image sensor, which will not have much impact on the field of view of the MZO.

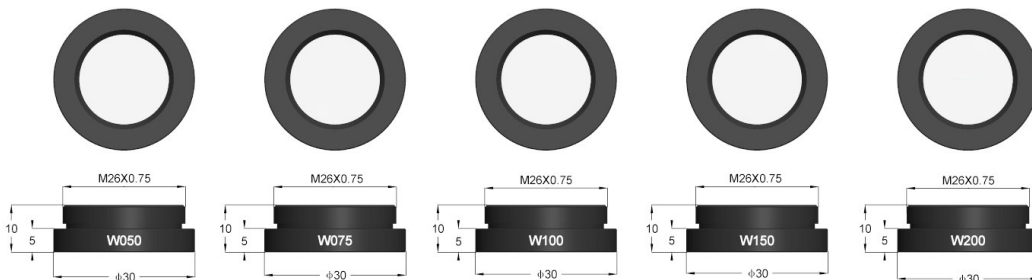


Figure 3 The Auxiliary Lens for TZM0756 MZO

1.3.3 Module Three: TV Lens

TV Lens (code TVccc), which can be threaded to the top of Middle Zoom Module, ccc is the magnification of TV Lens. TV Lens with different magnification is used to adapt to sensors with different size. For example, the same field of view could be obtained when TV100 is used with a 2/3” size sensor and TV050 is used with a 1/3” size sensor. TV Lens and its corresponding optical parameters are shown in Table 3.

Table 3 The order number and optical parameters of TV Lens

Order number	The maximum compatible sensor size
TV050	1/3"
TV075	1/1.8"
TV100	2/3"
TV150	1"
TV200	4/3"

Note: Smaller image sensors can also be used for TV Lens with higher magnification, but in this way, the FOV of MZO will be reduced.

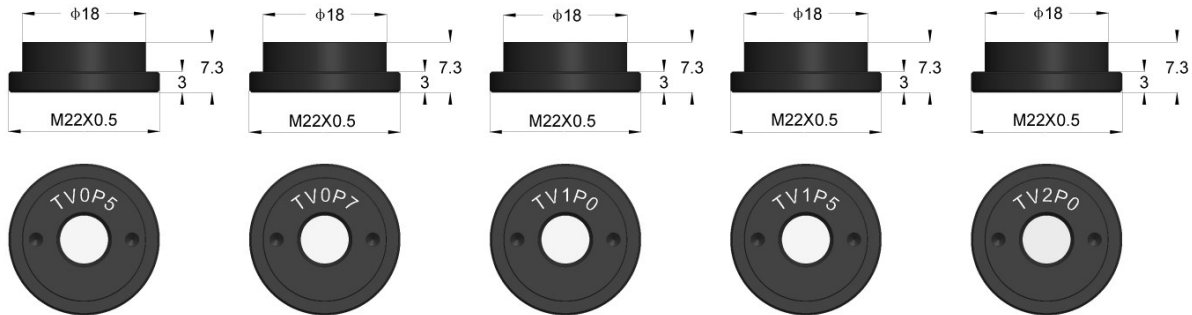


Figure 4 TV Lens with different magnification for TZM0756

1.3.4 Module Four: Bracket Adapter

Bracket Adapter (code Add) used for brackets with different mounting apertures and is sheathed in the middle of MZO. dd is the diameter of the bracket. Current available Adds include A50 and A45. The installation method of the Bracket Adapter and bracket is shown in Figure 5.

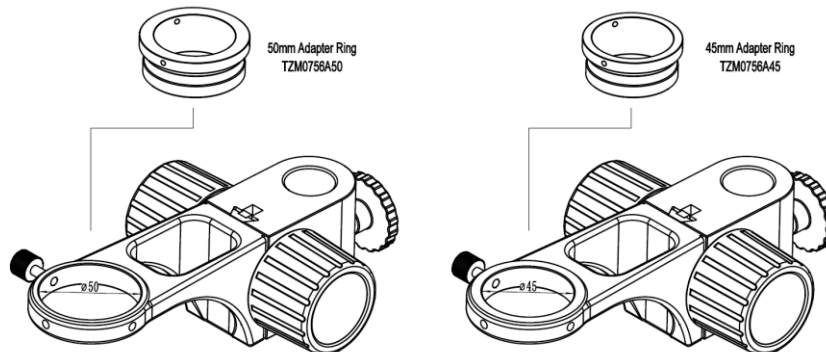


Figure 5 TZM0756 series' Bracket Adapter

1.3.5 Module Five: The Optional Module

The Optional Modules include LED Direct Ring Light Module (including LED Direct Ring

Light Module and LED Direct Ring Polarization Light Module) and Coaxial Light Module (composed of Coaxial Light Adapter and LED Spot Light). The currently possible samples are shown in Table 4.

Table 4 The Optional Module: Light source module for TZM0756 series MZO

Module	Order Number	Description
LED Direct Ring Light Module	TZM0756DRL-65, TZM0756DRL-85	LED Direct Ring Light
	TZM0756DRPL-65	LED Direct Ring Polarization Light
Coaxial Light Module	TZM0756CL+TZM0756SL	Coaxial Light Adapter + LED Spot Light
Transmissive Light Module	TZM0756TL	LED Transmissive Light
Power of light source	40600014	US:POWER-U-12V1A(Power Adapter American Standard)
	40600015	DE: POWER-E-12V1A(Power Adapter European standard)

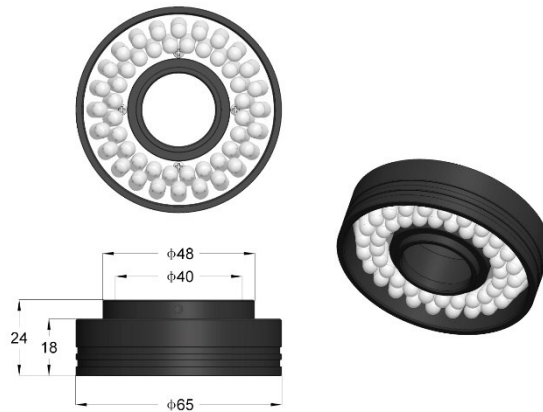


Figure 6 TZM0756DRL-65, the maximum diameter of LED reaches 65mm, and the diameter of 40mm in the center can be directly sleeved to the front end of the corresponding MZO to achieve uniform reflection lighting

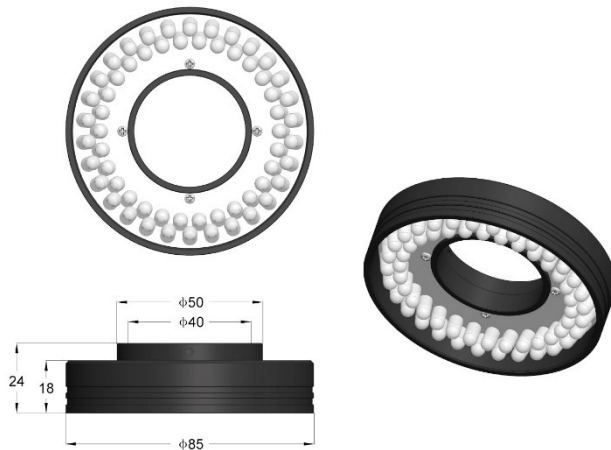


Figure 7 TZM0756DRL-85, the maximum diameter of LED reaches 85mm, and the diameter of 40mm in the center can be directly sleeved to the front end of the corresponding MZO to achieve uniform reflection lighting

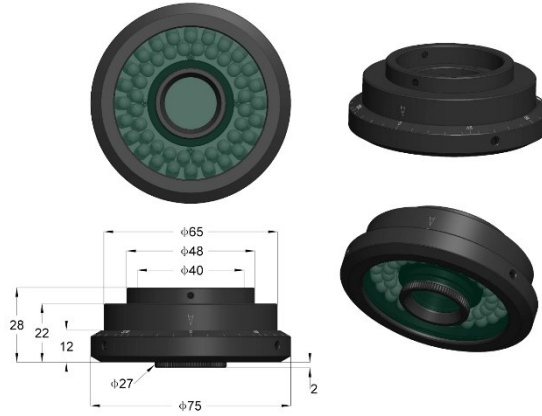


Figure 8 TZM0756DRPL-65, the maximum diameter of the LED reaches 65mm, and the small hole with a center diameter of 40mm can be directly sleeved on the front end of the corresponding MZO. By rotating the polarizing plate, uniform illumination of linear polarized light in different directions can be realized

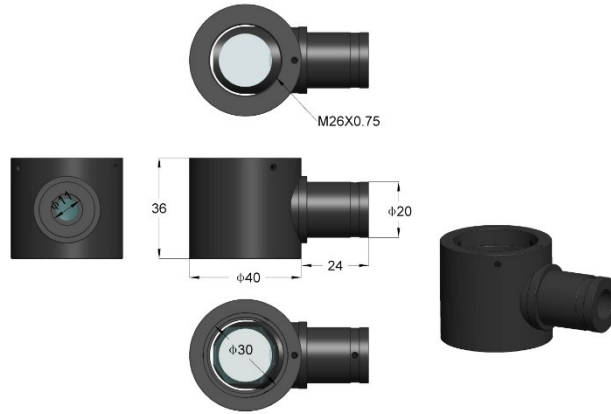


Figure 9 TZM0756CL Coaxial Light Adapter with 11mm hole for LED Spot Light

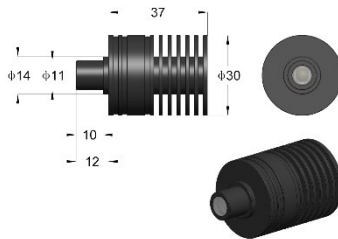


Figure 10 TZM0756SL, LED Spot Light can be directly connected with Coaxial Light adapter(TZM0756CL) to realize coaxial light illumination

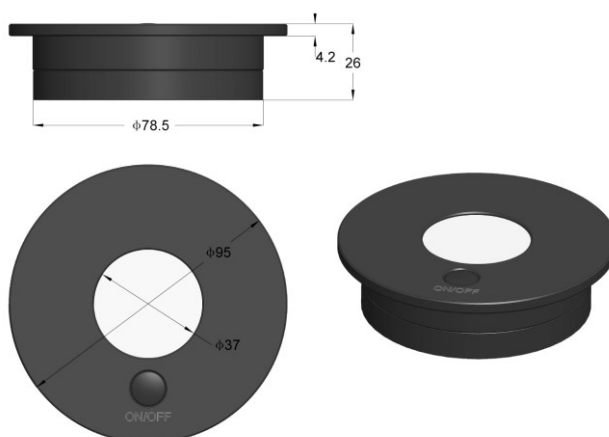


Figure 11 TZM0756TL LED Transmission Light source with illumination range of 37mm

1.3.6 The Naming of TZM0756 Series MZO

We have a special naming format for TZM0756 series MZO, we name TZM0756 series MZO products with a series module code, which is a combination of code of different modules and connected with crossbar “-” to form a comprehensive naming. With this paradigm, user can understand the meaning and function briefly. For example, if a MZO is composed of Middle Zoom Module TZM0756TD, Auxiliary Lens W100(1.00x), TV Lens TV050(0.5x) and 50mm Bracket Adapter A50, the final MZO can be expressed as:

TZM0756TD-W100-TV050-A50

Currently available **TZM0756aa**: TZM0756, TZM0756T, TZM0756D, and TZM0756TD;

Currently available **Wbbb**: W100, W050, W075, W150 and W200;

Currently available **TVccc**: TV100, TV050, TV075, TV150 and TV200;

Currently available **Add**: A50 and A45;

Currently available **Optional Modules** are LED Direct Ring Light Module (including LED Direct Ring Light Module and LED Direct Ring Polarization Light Module) and Coaxial Light Module (composed of Coaxial Light Adapter and LED Spot Light).

The other Auxiliary Lens with **b.bb** magnification, TV Lens with **c.cc** magnification and Bracket Adapter with **dd mm** size can be customized according to the requirements.

1.3.7 The Configuration of TZM0756 MZO with five modules

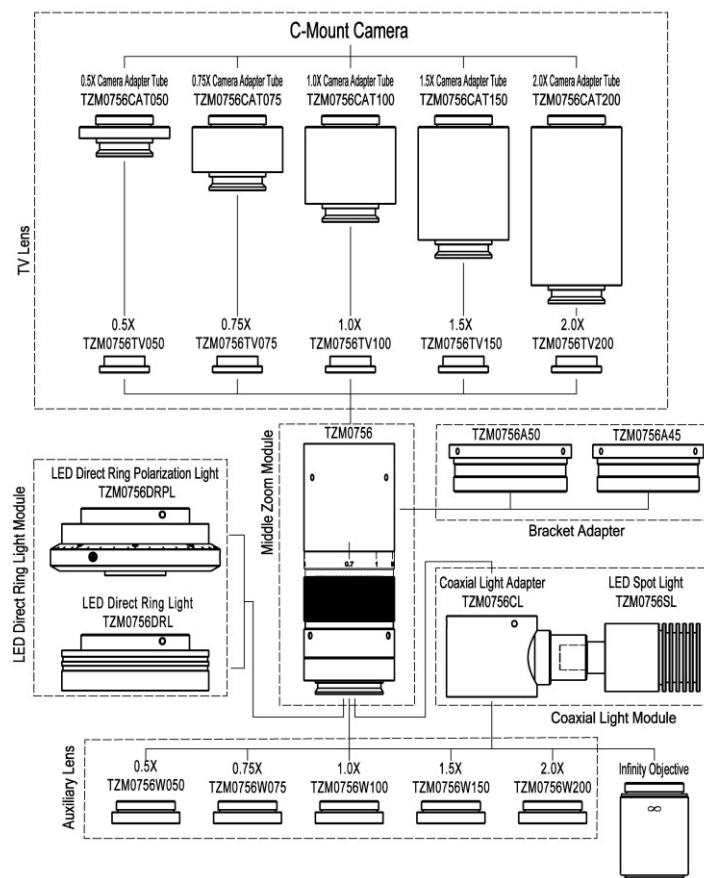


Figure 12 The five modules and the TZM0756 series MZO

TZM0756 series MZO can be combined with Camera Module (optional) to form a digital monocular zoom microscope.

1.4 The Basic Characteristics of the TZM0756 Series MZO

The basic module of TZM0756 series MZO is TZM0756-W100-TV100-A50, it has 0.7X to 5.6X zoom range and 8X zoom ratio. It is a high-quality precision MZO that provides high resolution and large depth of field. Its main features are shown below:

- With 0.7X~5.6X zoom range
- Large optical zoom ratio: 8X
- Larger NA: 0.018-0.092 (When using 1x Auxiliary Lens)
- Higher resolution: 18.6um-3.65um (When using 1.00x Auxiliary Lens)
- Larger field of view: 1.00mm-34.28mm (Object plane)
- Larger sensor size: 2/3" (When using 1.00x TV Lens)
- Working distance range: 37.5mm-160mm
- Parfocal in zoom range
- Compatible with infinity objectives (both biological and metallographic)
- Compact size: 150 mm (length) × 40 mm (diameter)
- Auxiliary Lens with 0.50x, 0.75x, 1.00x, 1.50x and 2.00x magnification (Optional)
- TV Lens with 0.50x, 0.75x, 1.00x, 1.50x and 2.00x magnification (Optional)

- Brightness adjustable [LED Direct Ring Light](#) (Optional)
- Brightness adjustable [LED Direct Ring Polarization Light](#) (Optional)
- Brightness adjustable [LED coaxial illumination](#) (Optional)
- [LED Transmissive Light](#) (Optional)
- 45mm or 50mm [Bracket Adapter](#) (Optional)

1.5 The Optical Specifications of TZM0756 MZO with Different Auxiliary Lens and TV Lens

The optical specifications of TZM0756 series MZO with different [Auxiliary Lens](#) and [TV Lens](#) are shown in Table 5. [Auxiliary Lens](#) and [TV Lens](#) with 1.00x are listed in the left-up cell. Its data is the basis of the other parameters in the whole table.

Table 5 TZM0756-W100-TV100 and Its Extensions

Auxiliary Lens	Specifications	TV Lens									
		1.0X(2/3") TV100		0.5X(1/3") TV050		0.75X(1/1.8") TV075		1.5X(1") TV150		2.0X(4/3") TV200	
		Lower	Higher	Lower	Higher	Lower	Higher	Lower	Higher	Lower	Higher
1.0X (80mm WD) WD100	PMAG	0.70X-5.60X		0.35X-2.80X		0.525X-4.20X		1.05X-8.40X		1.40X-11.20X	
	DFOV(mm)	15.71	1.96	17.14	2.14	17.02	2.13	15.24	1.9	16.07	2.01
	NAO	0.018	0.092	0.018	0.092	0.018	0.092	0.018	0.092	0.018	0.092
0.5X (160mm WD) WD050	PMAG	0.35X-2.80X		0.18X-1.40X		0.263X-2.10X		0.525X-4.20X		0.70X-5.60X	
	DFOV(mm)	31.43	3.93	34.28	4.28	33.97	4.25	30.48	3.81	32.14	4.02
	NAO	0.009	0.046	0.009	0.046	0.009	0.046	0.009	0.046	0.009	0.046
0.75X (105mm WD) WD075	PMAG	0.53X-4.20X		0.263X-2.10X		0.394X-3.15X		0.79X-6.30X		1.05X-8.40X	
	DFOV(mm)	20.99	2.61	20.81	2.86	22.67	2.84	20.25	2.54	21.43	2.68
	NAO	0.013	0.069	0.013	0.069	0.013	0.069	0.013	0.069	0.013	0.069
1.5X (51.5mm WD)WD150	PMAG	1.05X-8.40X		0.525X-4.20X		0.788X-6.30X		1.58X-12.60X		2.10X-16.80X	
	DFOV(mm)	10.46	1.31	11.43	1.43	11.34	1.42	10.13	1.27	10.71	1.34
	NAO	0.026	0.138	0.026	0.138	0.026	0.138	0.026	0.138	0.026	0.138
2.0X (37.5mm WD)WD200	PMAG	1.40X-11.20X		0.70X-5.60X		1.05X-8.40X		2.10X-16.80X		2.80X-22.40X	
	DFOV(mm)	7.9	1	8.57	1.07	8.51	1.06	7.62	0.95	8.04	1
	NA	0.035	0.182	0.035	0.182	0.035	0.182	0.035	0.182	0.035	0.182
Remarks	When using coaxial lighting, low magnification may produce vignetting. When using infinity objectives as Auxiliary Lens Module (adapter available), the PMAG、FOV and NAO of the TZM0756 depends on the parameters of the objectives.										

WD: Working Distance;

PMAG: Primary Magnification;

FOV: Field of View in the object side;

NA: Numerical Aperture;

Note: Infinity corrected objectives limit system's usable zoom range due to uneven illumination. The maximum sensor size is 2/3".

1.6 The Dimension of TZM0756 Series MZO with Different Light Module

The dimensions of **TZM0756-W100-TV100-A50** with different light a) **TZM0756** without light module; b) **TZM0756** equipped with **Direct Ring Light Module**, c) **TZM0756** equipped with **Coaxial Light Module** are showed in Figure 13.

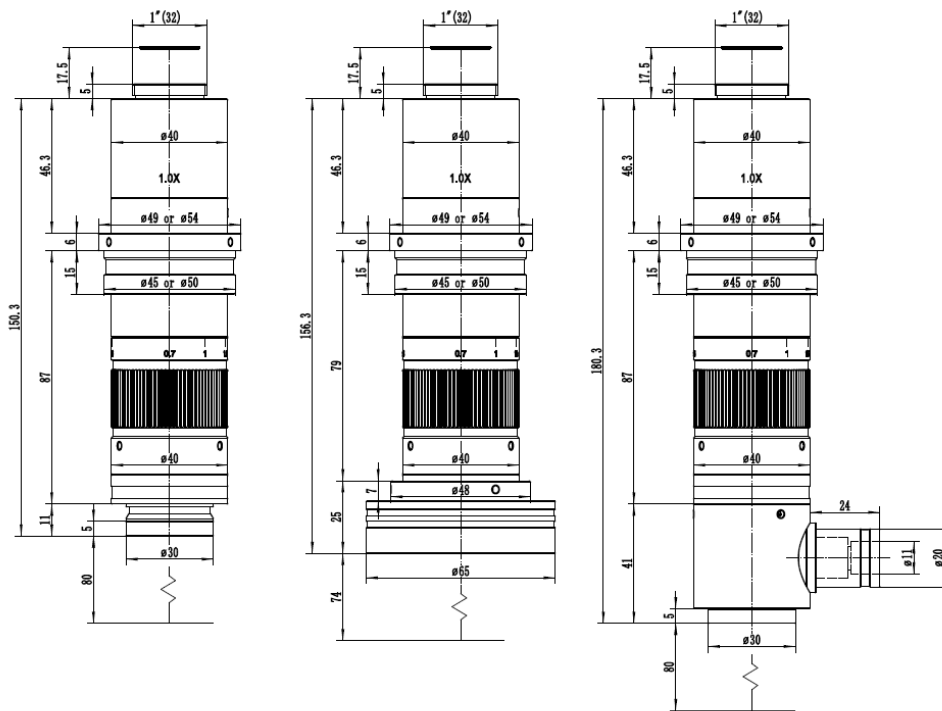


Figure 13 Dimensions of TZM0756-W100-TV100-A50 with different light module

- a) TZM0756-W100-TV100-A50 without light module;
- b) TZM0756-W100-TV100-A50 equipped with Direct Ring Light Module,
- c) TZM0756-W100-TV100-A50 equipped with Coaxial Light Module)

The length of the MZO with different **TV Lens** will be slightly different. The length of **TZM0756-W100-TV100-A50** is 150.3mm, it is much shorter than most of the MZO in the market.

1.7 How to Configure TZM0756 Series MZO

The corresponding parameters of **TZM0756** series MZO are listed in Table 6. A specific combination can be determined according to the following steps.

1. Confirm the possible range of 1) **FOV** and 2) **Working Distance** in the object space to choose the **Auxiliary Lens**.
2. Choose the M26x0.705 to M20x0.705 **Objective Adapter**, if the M20x0.705 infinity objective is used.
3. Confirm the camera **Image Area Size**, it can be 1) **Sensor Size** (1/x in inch), 2) **Image Diagonal Length**, 3) **Image Width** or 4) **Image Height** to choose the right **TV Lens**.
4. Choose the 45mm or 50 mm adapter according to the diameter of the bracket hole diameter .
5. Choose the **LED Direct Ring Light Module** for the reflective illumination.
6. Choose the **Coaxial Light Module** if coaxial illumination is required.
7. Choose the **Transmissive Light Module** if transmissive illumination is required.
8. Choose the **Camera Module**.

We offer a variety of microscope cameras.

Customers could get the detailed information of our cameras on the official website (<http://www.touptek.com/>) and choose the appropriate ones.

Table 6 The combinations of different the Auxiliary Lens, The Middle Zoom Module and the TV Lens. With this figure, user can configure MZO with different magnification to fit different sensor and different application

Camera	Auxiliary Lens-Main Zoom Module-TV Lens	WD(mm)	PMAG	DFOV(mm)	NAO
1/3"	TZM0756-W050-TV050	160	0.18X-1.40X	34.28-4.28	0.009-0.046
	TZM0756-W075-TV050	105	0.26X-2.10X	20.81-2.86	0.013-0.069
	TZM0756-W100-TV050	80	0.35X-2.80X	17.14-2.14	0.018-0.092
	TZM0756-W150-TV050	52	0.53X-4.20X	11.43-1.43	0.026-0.138
	TZM0756-W200-TV050	38	0.70X-5.60X	8.57-1.07	0.035-0.182
1/1.8"	TZM0756-W050-TV075	160	0.26X-2.10X	33.97-4.25	0.009-0.046
	TZM0756-W075-TV075	105	0.40X-3.15X	22.67-2.84	0.013-0.069
	TZM0756-W100-TV075	80	0.53X-4.20X	17.02-2.13	0.018-0.092
	TZM0756-W150-TV075	52	0.79X-6.30X	11.34-1.42	0.026-0.138
	TZM0756-W200-TV075	38	1.05X-8.40X	8.51-1.06	0.035-0.182
2/3"	TZM0756-W050-TV100	160	0.35X-2.80X	31.74-3.93	0.009-0.046
	TZM0756-W075-TV100	105	0.53X-4.20X	20.99-2.61	0.013-0.069
	TZM0756-W100-TV100	80	0.70X-5.60X	15.80-1.96	0.018-0.092
	TZM0756-W150-TV100	52	1.05X-8.40X	10.46-1.31	0.026-0.138
	TZM0756-W200-TV100	38	1.40X-11.2X	7.90-0.99	0.035-0.182
1"	TZM0756-W050-TV150	160	0.53X-4.20X	30.48-3.81	0.009-0.046
	TZM0756-W075-TV150	105	0.79X-6.30X	20.25-2.54	0.013-0.069
	TZM0756-W100-TV150	80	1.05X-8.40X	15.24-1.90	0.018-0.092
	TZM0756-W150-TV150	52	1.58X-12.6X	10.13-1.27	0.026-0.138
	TZM0756-W200-TV150	38	2.10X-16.8X	7.62-0.95	0.035-0.182
4/3"	TZM0756-W050-TV200	160	0.70X-5.60X	32.14-4.02	0.009-0.046
	TZM0756-W075-TV200	105	1.05X-8.40X	21.43-2.68	0.013-0.069
	TZM0756-W100-TV200	80	1.40X-11.2X	16.07-2.01	0.018-0.092
	TZM0756-W150-TV200	52	2.10X-16.8X	10.71-1.34	0.026-0.138
	TZM0756-W200-TV200	38	2.80X-22.4X	8.04-1.00	0.035-0.182

2 The Connection of the TZM0756 Series MZO and Camera



Figure 14 TZM0756-W100- TV100+TZM0756DRL (LED Direct Ring Light Module)+
HDMI Camera XCAMLite1080P A(Circular)+TPS-10A+SCRN



Figure 15 TZM0756-W100- TV100+TZM0756DRPL (LED Direct Ring Light Module) +
HDMI Camera XCAMLite1080PA(Circular)+TPS-20A+SCRN

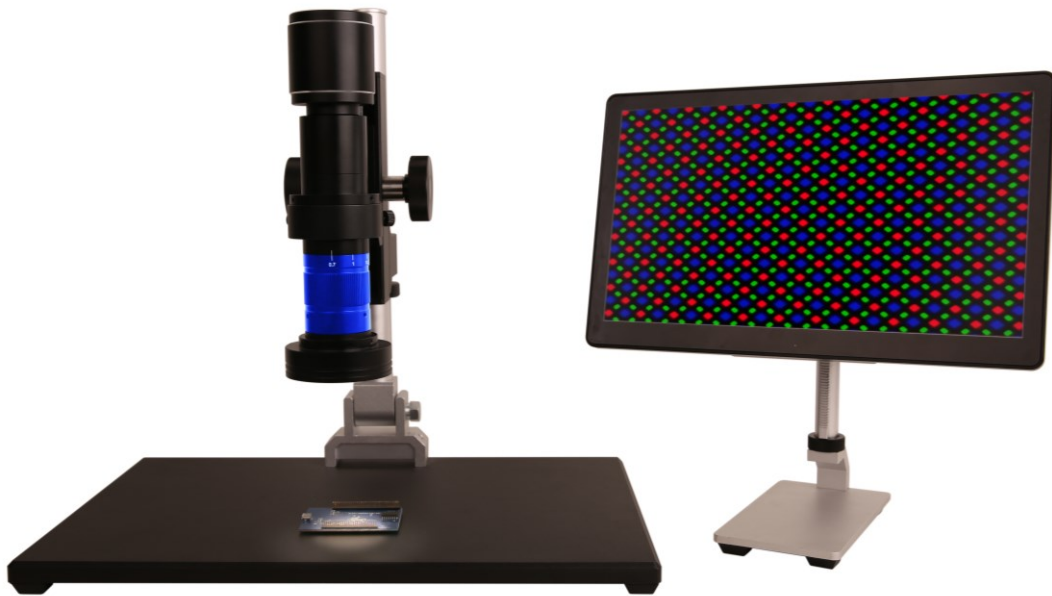


Figure 16 TZM0756-W100- TV100+ TZM0756DRPL (LED Direct Ring Light Module) +
HDMI Camera XCAMLite1080PA(Circular)+TPS-200A+SCRN

3 Pictures Taken by TZM0756 Series MZO under Different Light Illuminations

Figure 17 are pictures of coins taken with **TZM0756W100-TV100** under left) LED Direct Ring Light illumination; middle) LED Direct Ring Polarization Light illumination; right) Coaxial Light illumination.



Figure 17 From left to right, there are three pictures of coins taken under left) LED Direct Ring Light illumination; middle) LED Direct Ring Polarization Light illumination; right) Coaxial Light illumination

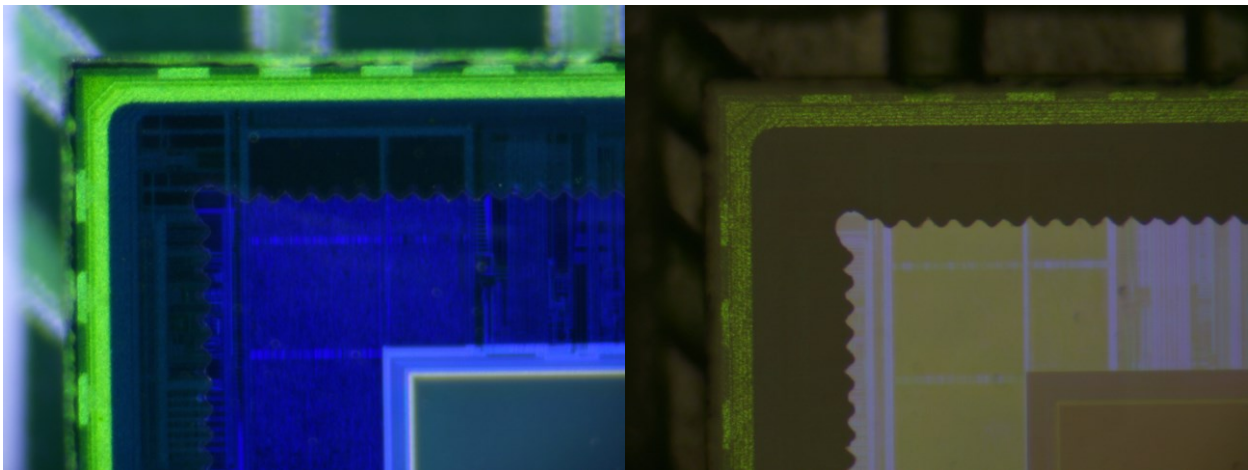


Figure 18 Pictures of CMOS image sensor taken with TZM0756-W100-TV100 under LED Direct Ring Light illumination and Coaxial Light illumination (5.6X PMAG)

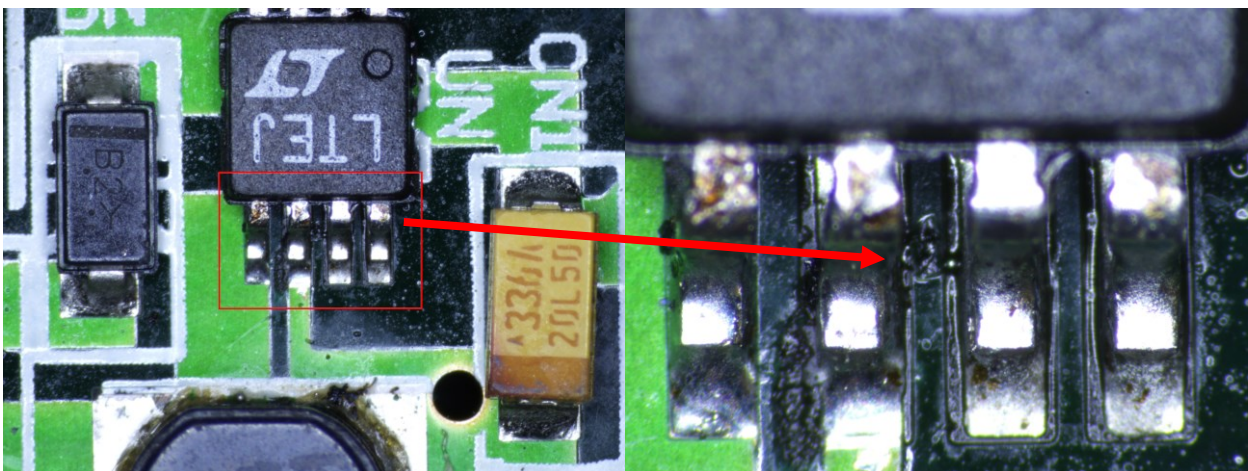


Figure 19 Picture of circuit board taken by TZM0756-W100-TV100 under LED Direct Ring Light illumination, when shooting the left picture, the magnification of TZM0756-W100-TV100 is 0.7X, and when shooting the right picture, the magnification of TZM0756-W100-TV100 is 2.5X

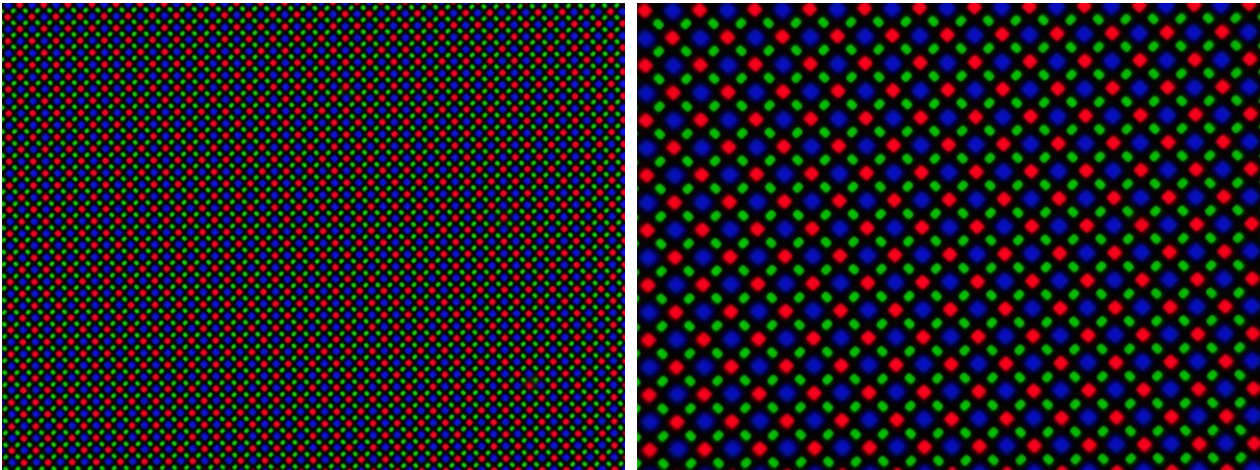


Figure 20 Mobile phone pixels taken by TZM0756-W100-TV100, under 2.5X PMAG and 5.6X PMAG

4 TZM0756 Series MZO Packing List

The packing information of the [TZM0756](#) series MZO is as follows:



Figure 21 The TZM0756 Main Body, including Auxiliary Lens Module, Middle Zoom Module, TV Lens, Camera Adapter Tube and Bracket Adapter

The packing information of [TZM0756DRL](#) is as follows:



Figure 22 TZM0756DRL-65/85, including LED Direct Ring Light and Power Adapter

The packing information of [TZM0756DRPL-65](#) is as follows:



Figure 23 TZM0756DRPL-65, including LED Direct Ring Polarization Light and Power Adapter

The packing information of [Coaxial Light Module](#) is as follows:



Figure 24 TZM0756 Coaxial Light Module, including TZM0756CL (Coaxial Light Adapter), TZM0756SL (LED Spot Light) and Power Adapter

5 Order List of TZM0756 Series MZO

TZM0756 Series Monocular Zoom Object Package Order List

Order number	Quantity	Remarks
Package Name	TZM0756□ □-W□□□-TV□□□-A□□	
	TZM0756□ □-W□□□-TV□□□-A□□	
	TZM0756□ □-W□□□-TV□□□-A□□	
	TZM0756□ □-W□□□-TV□□□-A□□	
	TZM0756□ □-W□□□-TV□□□-A□□	
	TZM0756□ □-W□□□-TV□□□-A□□	
	TZM0756□ □-W□□□-TV□□□-A□□	
	TZM0756□ □-W□□□-TV□□□-A□□	
	TZM0756□ □-W□□□-TV□□□-A□□	
	TZM0756□ □-W□□□-TV□□□-A□□	
Remarks		
Remarks: Users or salesmen can directly write the corresponding module name, number of sets, and other special requirements in the remarks with their own professional knowledge.		

TZM0756 Order List of Other Accessories

Module	Order number	Quantity	Remarks	Description
Auxiliary Lens Module	W050			0.50X Object Lens
	W075			0.75X Object Lens
	W100			1.0X Object Lens
	W150			1.5X Object Lens
	W200			2.0X Object Lens
	ON-XX			Biological Objective
	ON-YY			Metallographic Objective
	Objective Adapter			M26x0.706 to M20x0.706
TV Lens	TV050			For 1/3" Sensor
	TV075			For 1/1.8" Sensor
	TV100			For 2/3" Sensor
	TV150			For 1" Sensor
	TV200			For 4/3" Sensor
Bracket Adapter	A45			45mm Bracket Adapter
	A50			50mm Bracket Adapter
Coaxial Light Module	TZM0756CL +TZM0756SL			Coaxial Light Adapter + LED Spot Light
LED Direct Ring Light Module	TZM0756DRL-65/85			LED Direct Ring Light
	TZM0756DRPL			LED Direct Ring Polarization Light
Transmissive Light Module	TZM0756TL			LED Transmissive Light
Power of light source	40600014			POWER-U-12V1A(MSA-C1000IC12.0-12H-US), Power Adapter American Standard

	40600015			POWER-E-12V1A(MSA-C10001C12.0-12W-DE), Power Adapter European standard
--	----------	--	--	--

TZM0756 Function Module Optional Order List

Module	Order number	Quantity	Remarks	Description
Middle Zoom Module	TZM0756			Ordinary Middle Zoom Module
	TZM0756T			Middle Zoom Module with adjustable back focus
	TZM0756D			Middle Zoom Module with detent
	TZM0756TD			Middle Zoom Module with adjustable back focus and detent
Auxiliary Lens Module	W050			0.50X Object Lens
	W075			0.75X Object Lens
	W100			1.0X Object Lens
	W150			1.5X Object Lens
	W200			2.0X Object Lens
	ON-XX			Biological Objective
	ON-YY			Metallographic Objective
	Objective Adapter			M26x0.706 to M20x0.706
TV Lens	TV050			For 1/3" Sensor
	TV075			For 1/1.8" Sensor
	TV100			For 2/3" Sensor
	TV150			For 1" Sensor
	TV200			For 4/3" Sensor
Bracket Adapter	A45			45mm Bracket Adapter
	A50			50mm Bracket Adapter
Coaxial Light Module	TZM0756CL +TZM0756SL			Coaxial Light Adapter + LED Spot Light
LED Direct Ring Light Module	TZM0756DRL-65/85			LED Direct Ring Light
	TZM0756DRPL			LED Direct Ring Polarization Light
Transmissive Light Module	TZM0756TL			LED Transmissive Light
Power of Light Source	40600014			POWER-U-12V1A(American Standard)
	40600015			POWER-E-12V1A(European standard)

6 Service

For customers who purchase MZO from local dealer, please contact your dealer for more information.

For technical support, please contact e-mail address: tphz@toupTek.com.